



PARTS BREAKDOWN

INVERTER GENERATOR

MODEL: PA-GI7500i



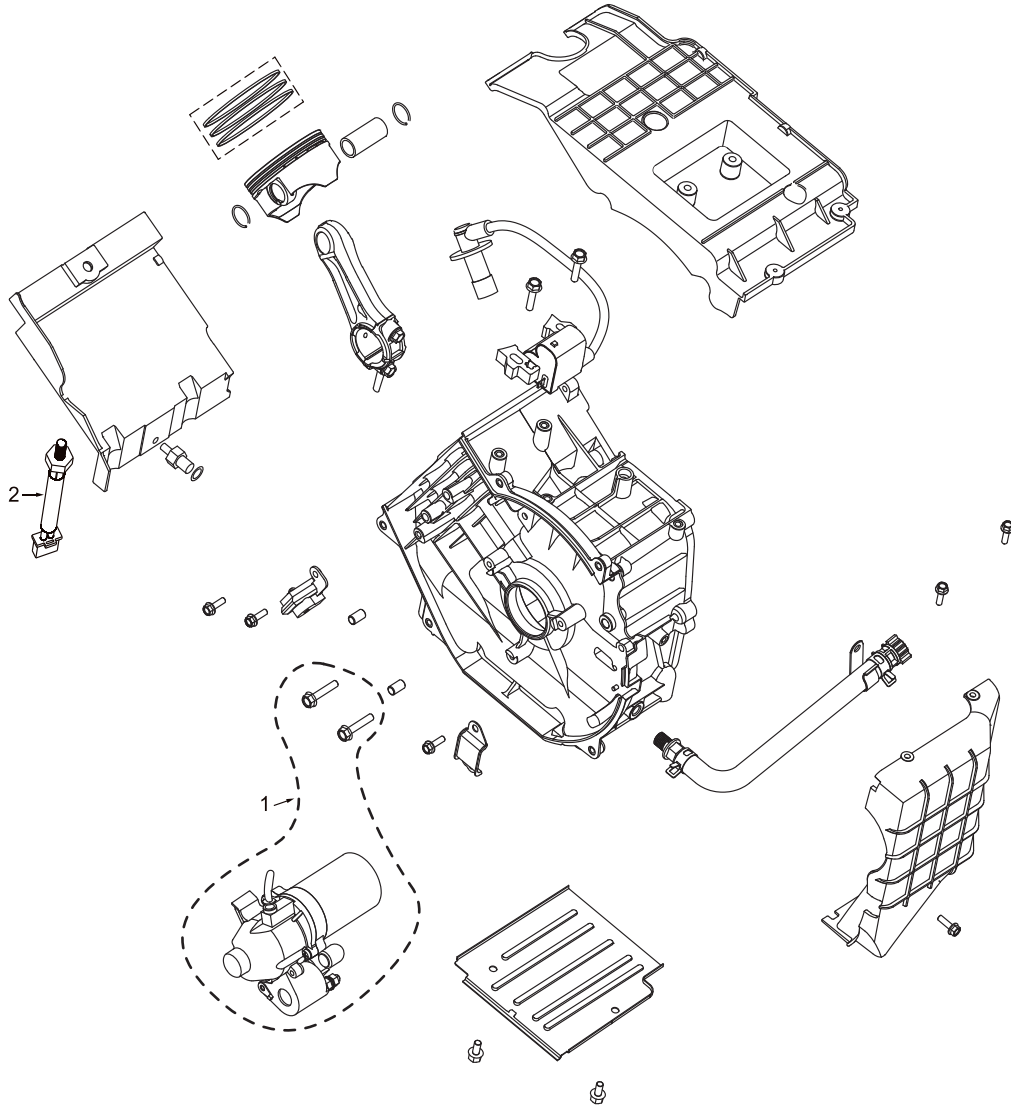


PARTS BREAKDOWN

INVERTER GENERATOR

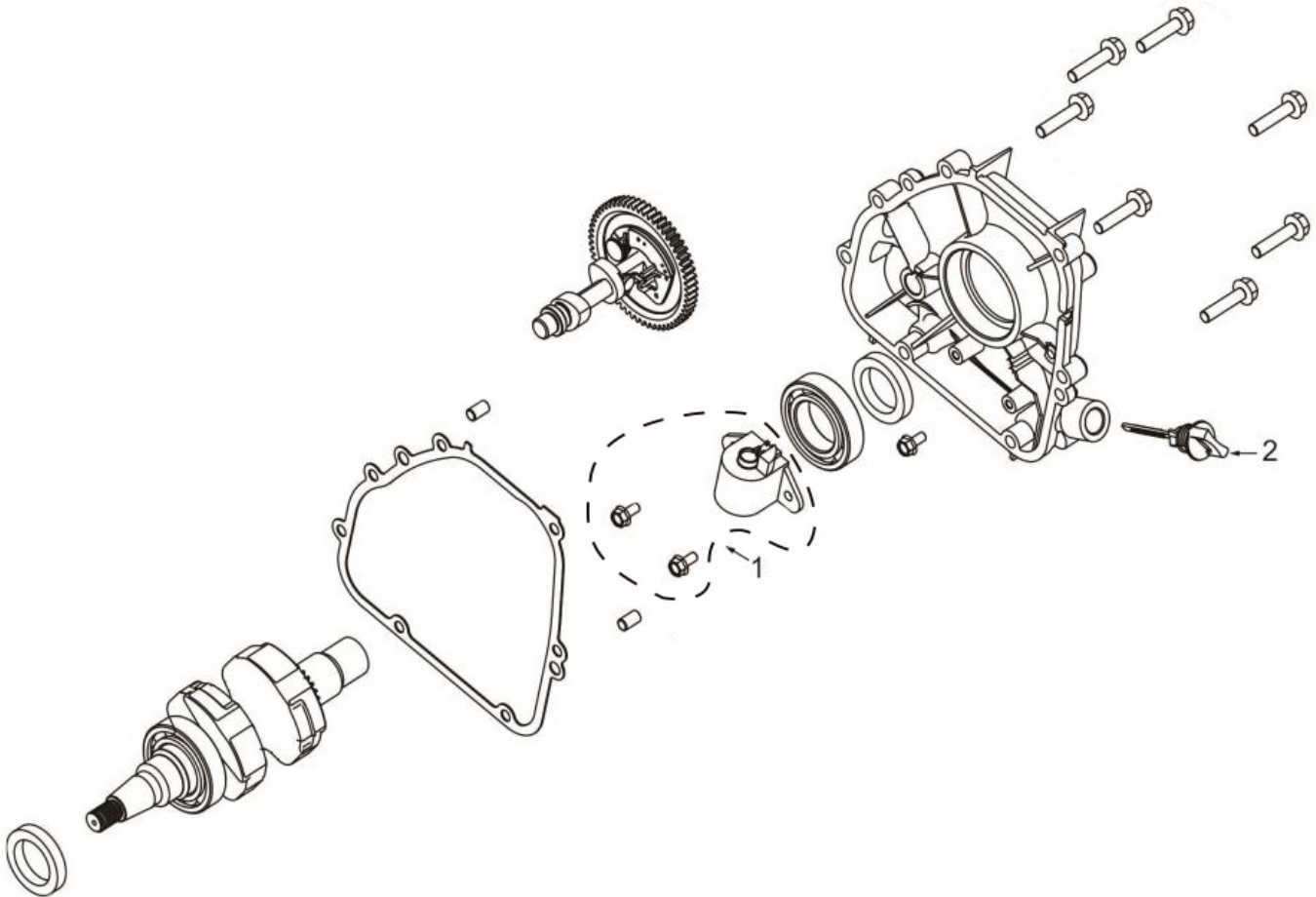
MODEL: PA-GI7500i

CRANKCASE



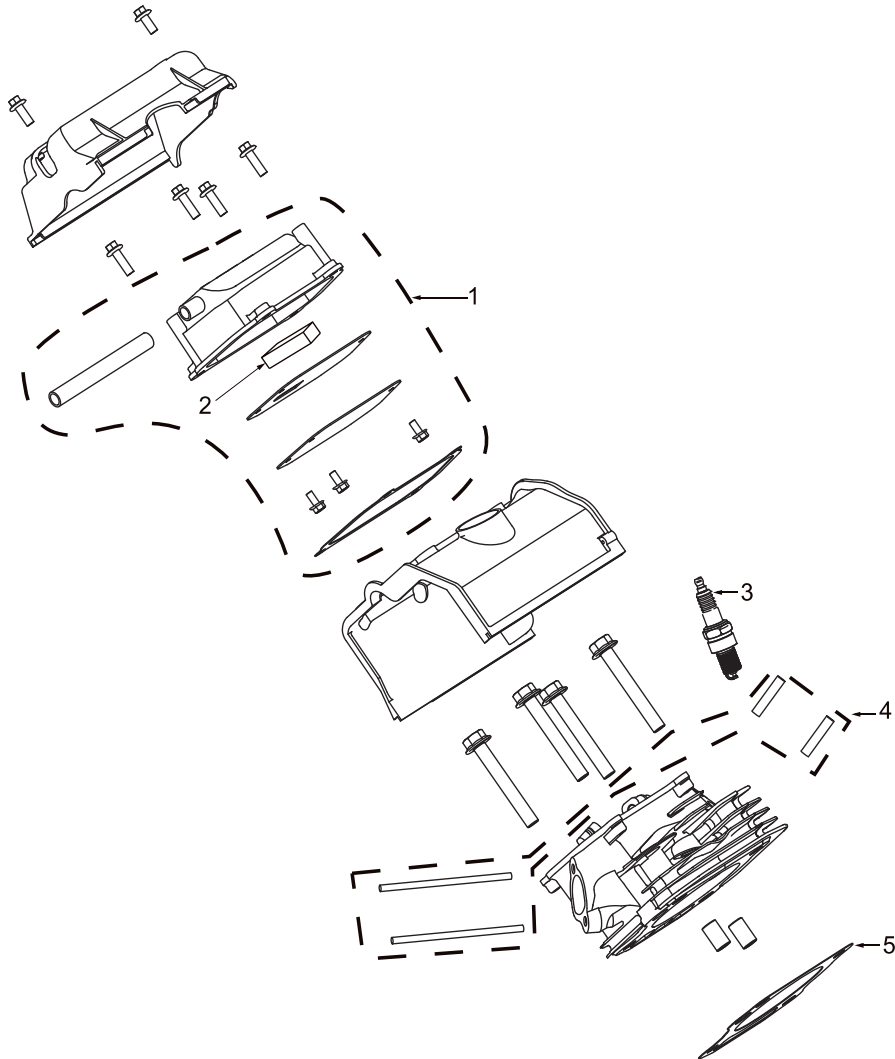
REF #	DESCRIPTION	QTY	PART #
1	STARTING MOTOR W/BOLTS	2	PA-P85561052
2	TEMPERATURE SENSOR	1	PA-P85561030

CRANKCASE COVER



REF #	DESCRIPTION	QTY	PART #
1	LOW OIL SENSOR	1	PA-P85561092
2	MAGNETIC DIPSTICK	1	PA-P85561017

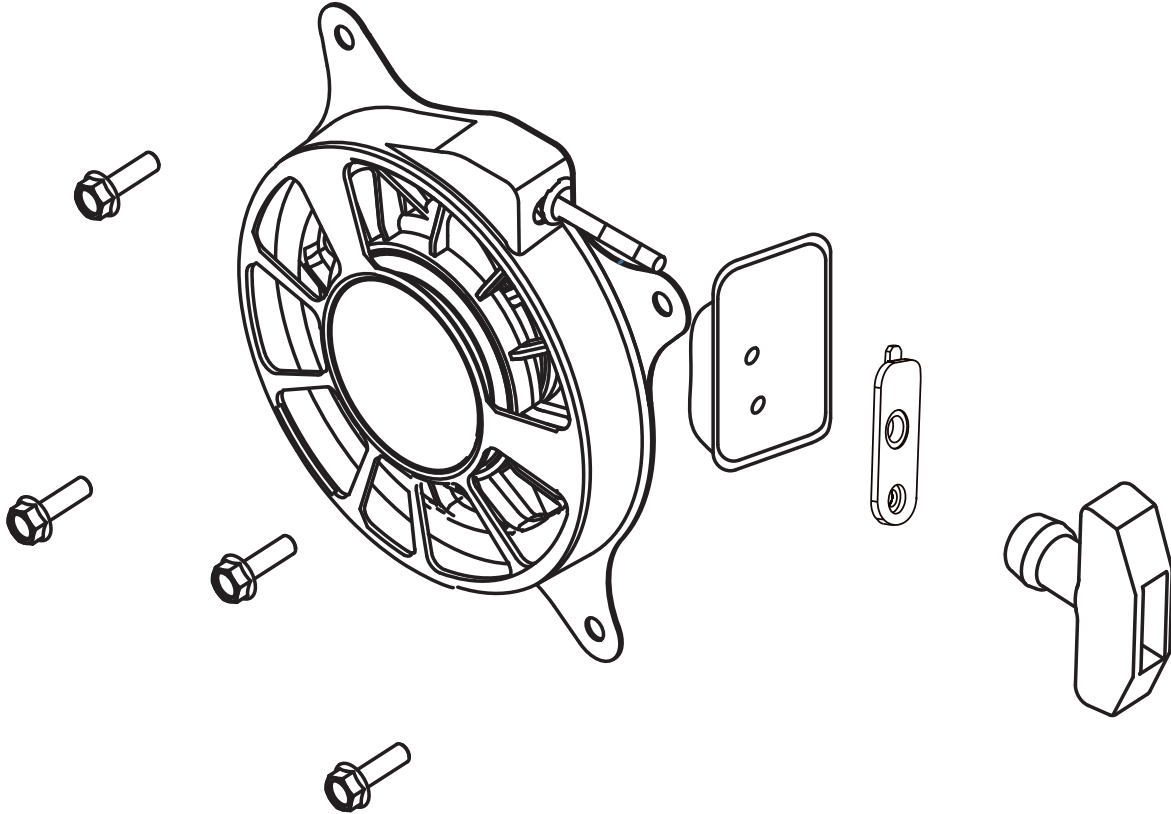
CYLINDER HEAD PARTS



REF #	DESCRIPTION	QTY	PART #
1	CYLINDER HEAD COVER ASSEMBLY	1	PA-P85561114
2	OIL CONDENSER	1	PA-P85561118
3	SPARK PLUG	1	PA-P85561115
4	INTAKE/EXHAUST STUD SET	2+2	PA-P85561116
5	CYLINDER HEAD GASKET	1	PA-P85561117

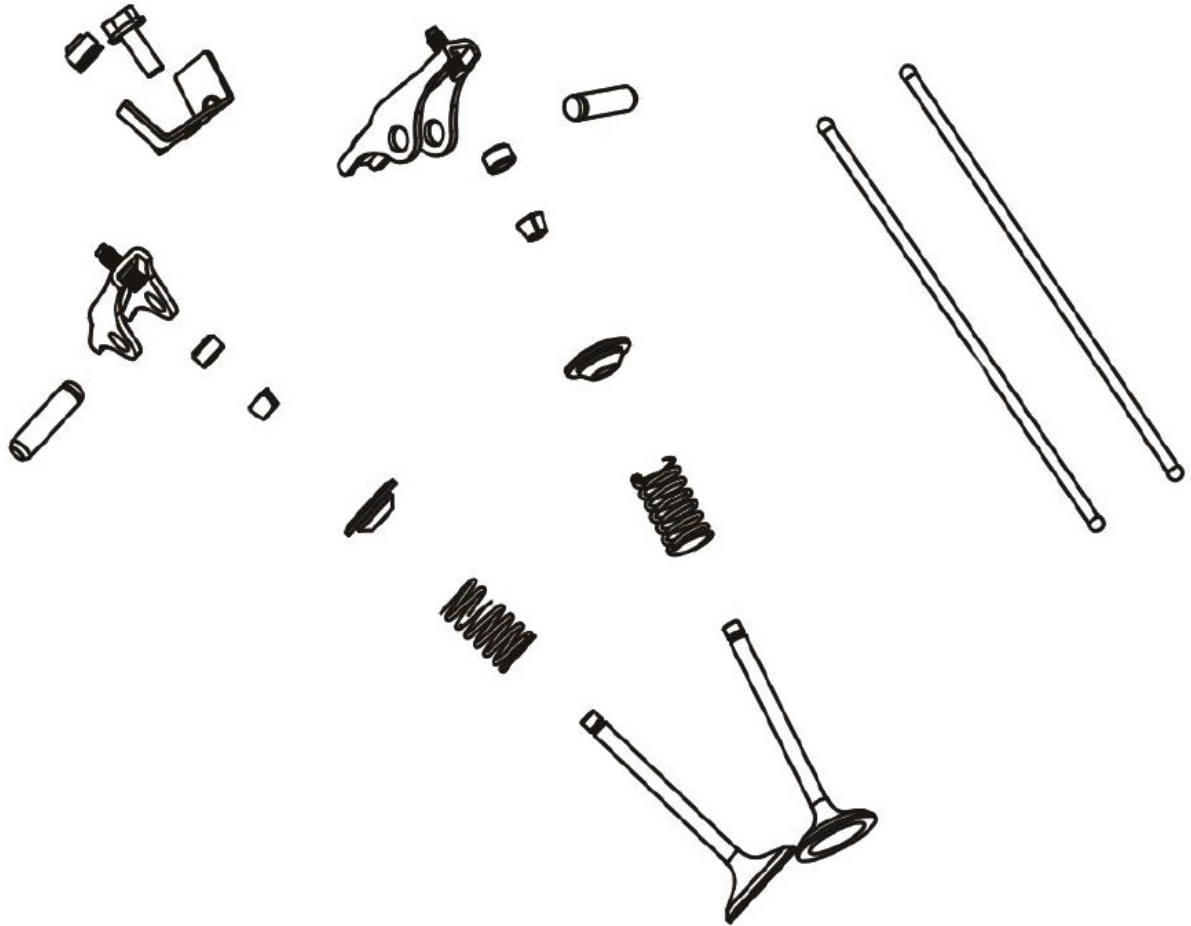
MODEL: PA-GI7500i

ENGINE STARTER



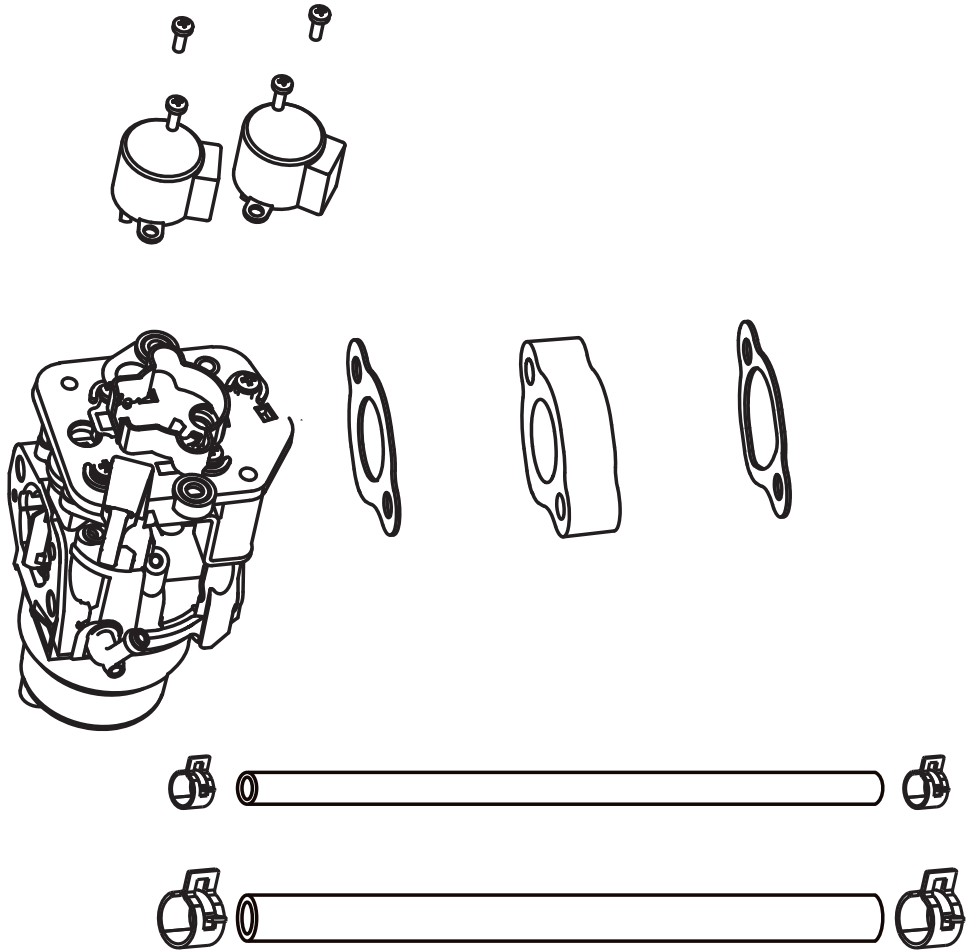
REF #	DESCRIPTION	QTY	PART #
1	RECOIL ASSEMBLY	1	PA-P85561064

VALVE SET



REF #	DESCRIPTION	QTY	PART #
1	VALVE SET	1	PA-P85561119

CARBURETOR ASSEMBLY



REF #	DESCRIPTION	QTY	PART #
1	CARBURETOR ASSEMBLY	1	PA-P85561065

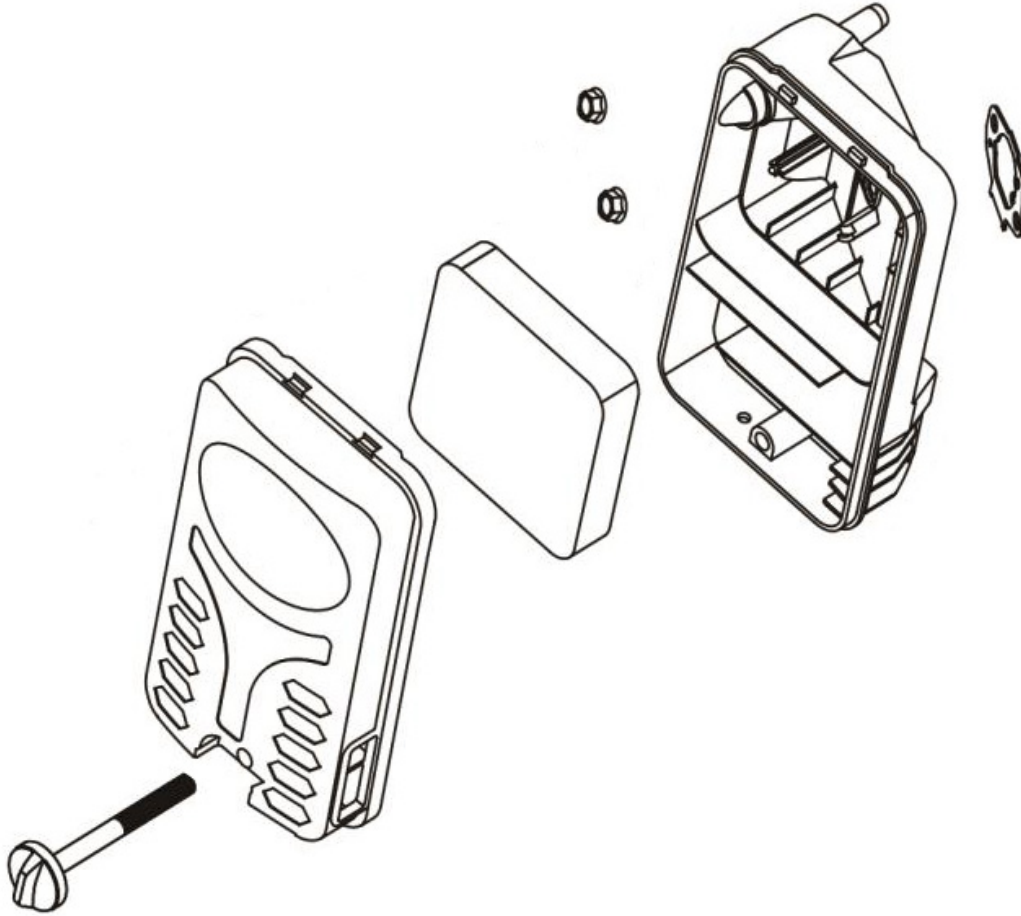


PARTS BREAKDOWN

INVERTER GENERATOR

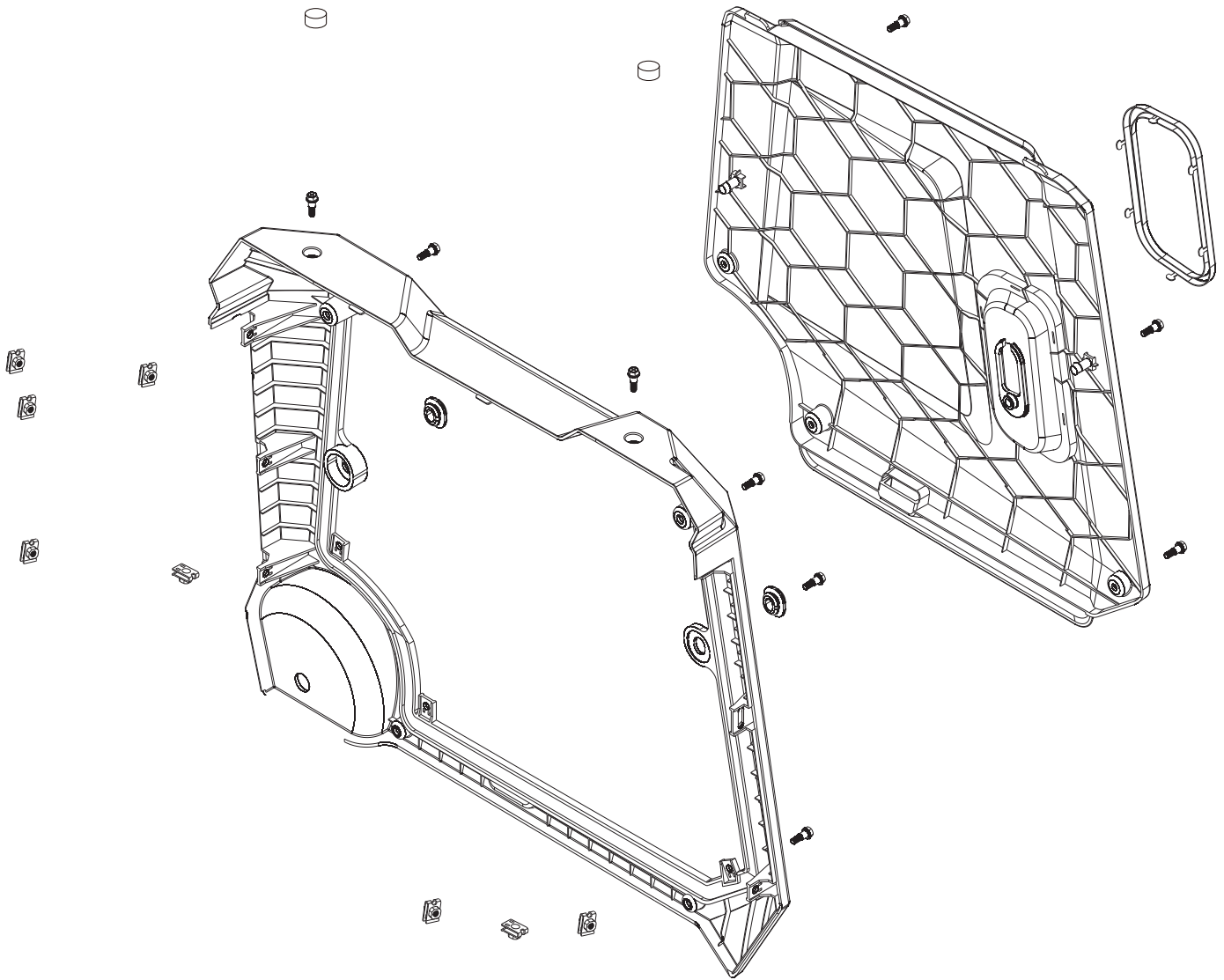
MODEL: PA-GI7500i

AIR CLEANER



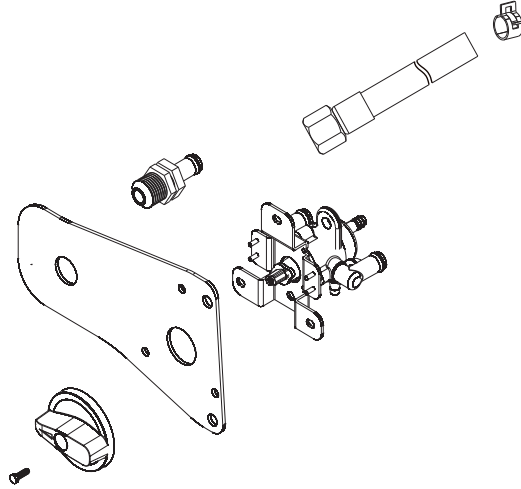
REF #	DESCRIPTION	QTY	PART #
1	AIR CLEANER ASSEMBLY	1	PA-P85561066

RIGHT HOUSING



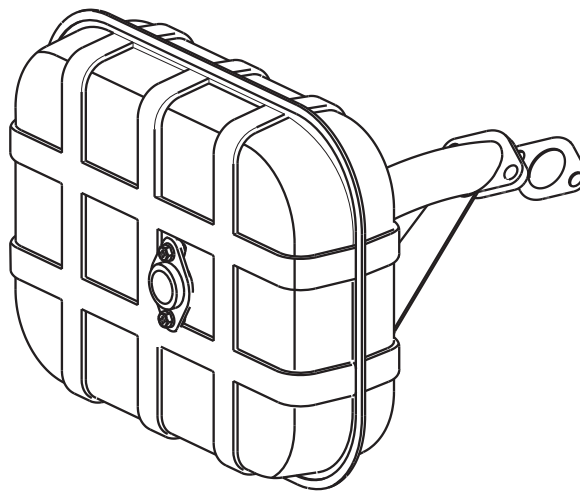
REF #	DESCRIPTION	QTY	PART #
1	EXTERIOR RIGHT COVER	1	PA-P85561120

FUEL SELECTOR



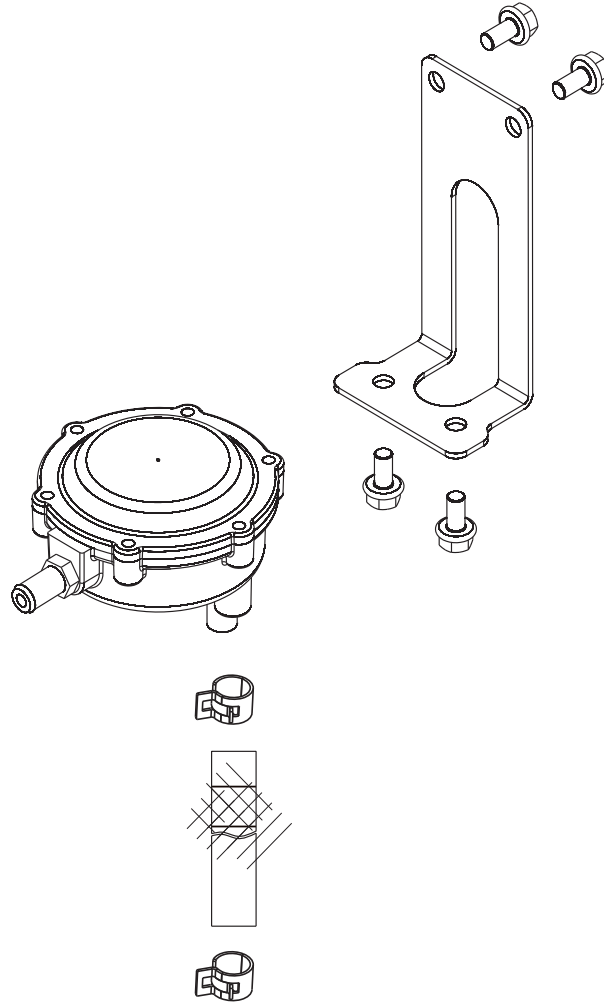
REF #	DESCRIPTION	QTY	PART #
1	FUEL SELECTOR SWITCH	1	PA-P85561.067

MUFFLER PARTS



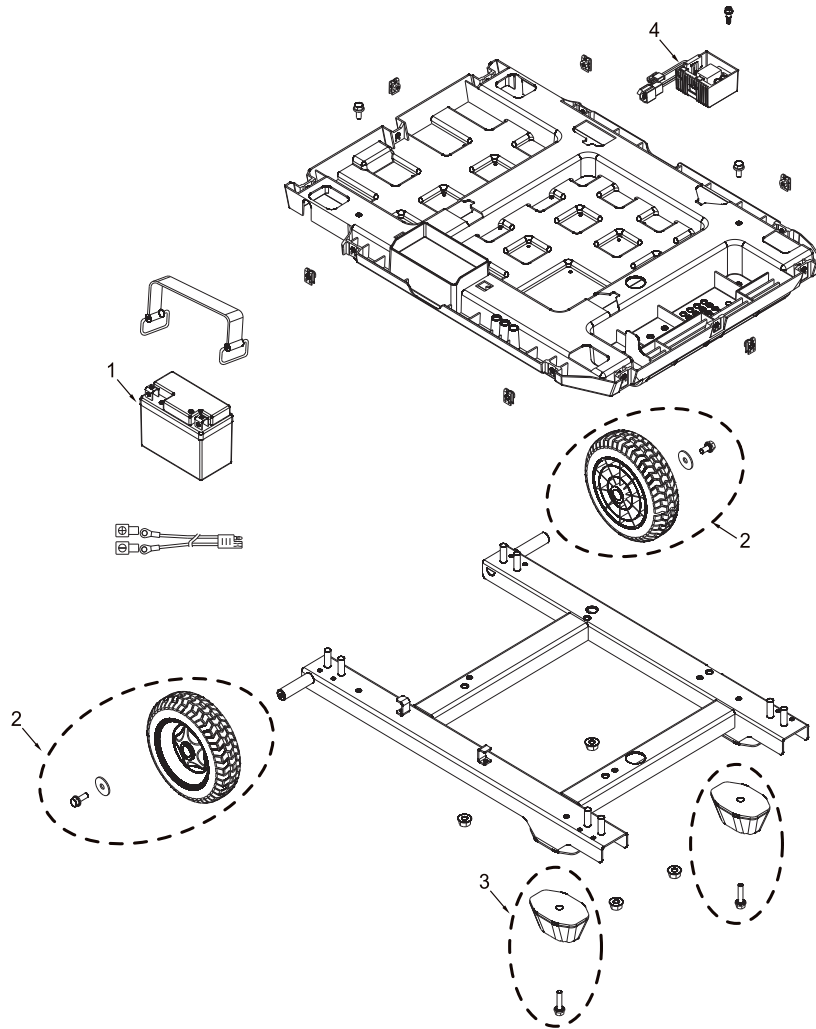
REF #	DESCRIPTION	QTY	PART #
1	MUFFLER ASSEMBLY	1	PA-P85561121

LPG REGULATOR



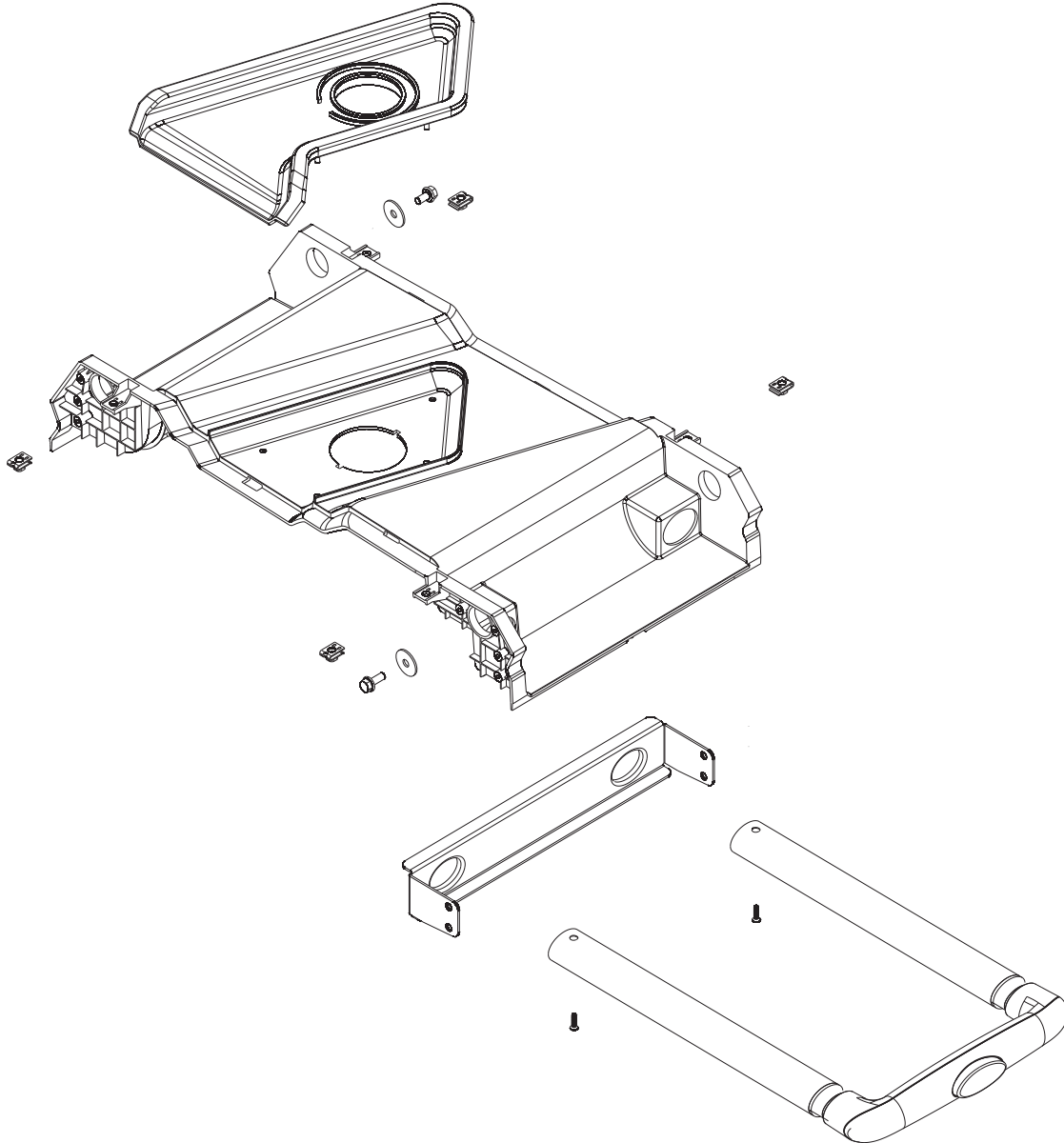
REF #	DESCRIPTION	QTY	PART #
1	PRESSURE REDUCING VALVE	1	PA-P85561068

FLOOR



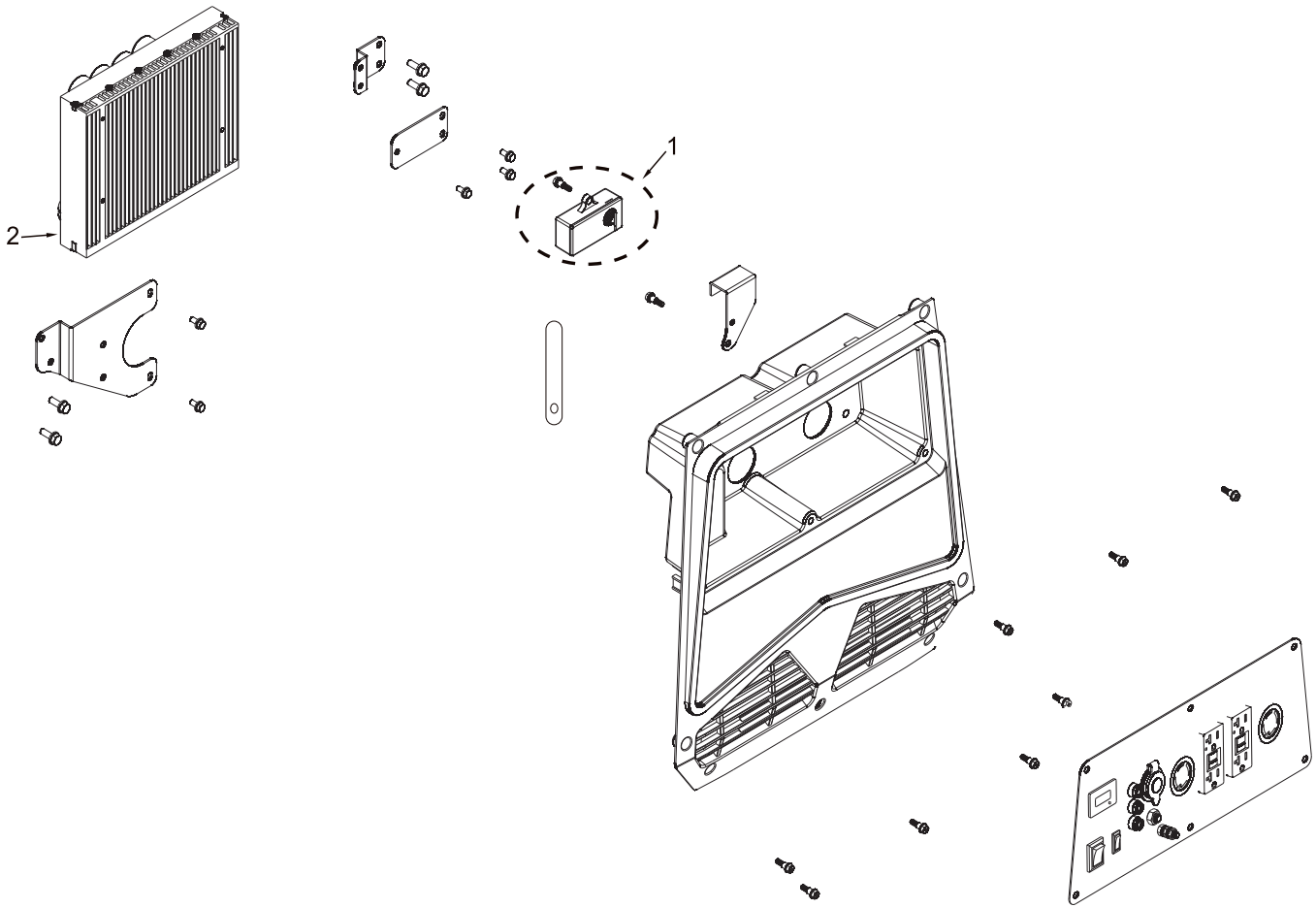
REF #	DESCRIPTION	QTY	PART #
1	LITHIUM BATTERY	1	PA-P85561072
2	WHEEL SET WITH HARDWARE	1	PA-P85561069
3	FOOT SET	1	PA-P85561122
4	VOLTAGE REGULATING RECTIFIER	1	PA-P85561103

PULL ROD/HOUSING



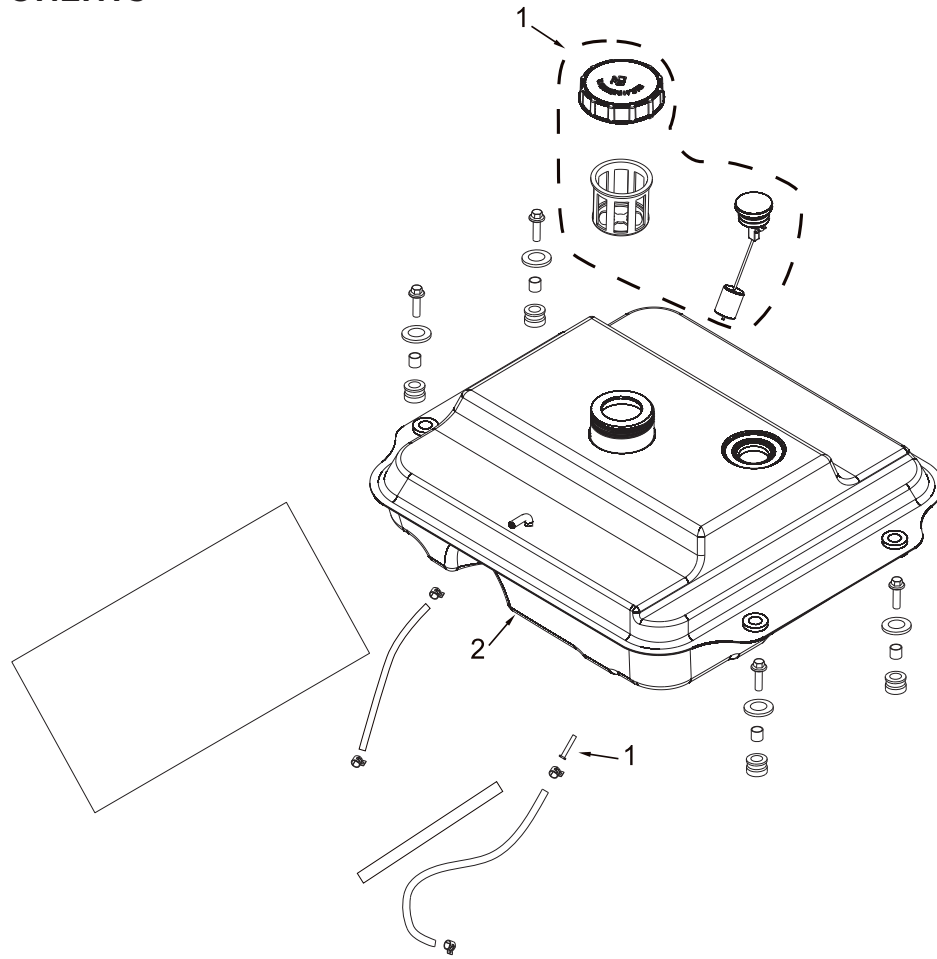
REF #	DESCRIPTION	QTY	PART #
1	PULL HANDLE ASSEMBLY	1	PA-P85561070

PANEL



REF #	DESCRIPTION	QTY	PART #
1	CO ALARM	1	PA-P85561048
2	INVERTER	1	PA-P85561073

FUEL TANK COMPONENTS



REF #	DESCRIPTION	QTY	PART #
1	FUEL TANK CAP, FILTERS, & GAUGE	1	PA-P85561071
2	TANK	1	PA-P85561124

patcon[®]

If you need technical assistance call:

1-866-850-6662

(8:00am - 4:30pm PST, Mon - Fri)